

Zehnder NOx filters

How to meet indoor Air Quality planning requirements for new residential developments

Product data sheet

always the best climate



NOx filters

The Zehnder range of NOx filters combine with our MVHR units to remove particulate and gas pollutants from incoming air. The third party tested filters help to bring outdoor air pollutant levels, within air quality management areas, down to within World Health Organisation Air Quality Guidelines and to meet the CAFE DIRECTIVE.

The long life span of between 2-5 years, in addition to the unique filter view panel, ensure the filters continue to remove pollutants for long time periods and are replaced at the right time.

The range of units also have extremely low pressure drops, meaning the MVHR is unlikely to be negatively impacted upon regards noise and running costs.



Key Features

- Removes NO₂, SO₂, O₃ and hydrocarbon gasses from entering the property
- Independently tested by 3rd party and verified up to 93% efficient
- Extremely low pressure drop
- Wide range of spigot sizes
- Unique filter view panel and sacrificial cell to indicate when the filter needs to be replaced
- Provides additional attenuation

NOx Filtration Details

- High grade NOX filtration to help meet the requirements of Air Quality Planning Regulations
- Five options to suit all MVHR models – including Zehnder ComfoAir and ComfoAir Q units
- Sized to minimise additional energy consumption from the system

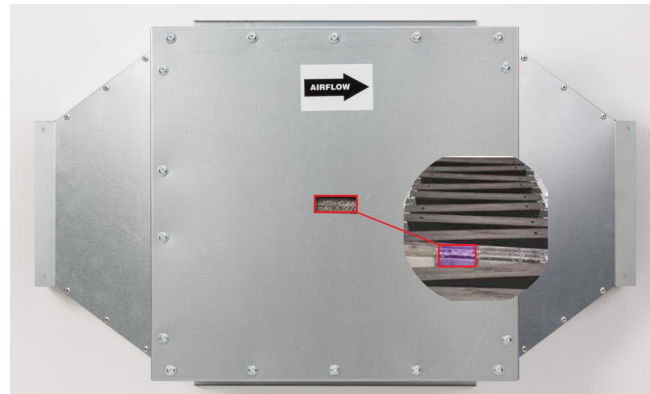
- Long life span between 2-5 years
- Unique feature to Zehnder NOX Filters – Integrated Sight Glass for easy and quick maintenance review on site
- Can only be mounted horizontally

Unique Filter View Panel

The filter cartridge is made up of a series of G3 and Carbon Filters. The Carbon Filter changes colour to show when it needs replacing.

The Zehnder NOX filter has a unique glass panel located as shown on the base. This eliminates the need to open the entire front panel to check the filter status.

On-site just simply and quickly open an access hatch to view the colour status or exchange the filters.



Filter in new/
good condition



Filter in used
condition with some
life remaining



Filter needs
replacing

Article Numbers

Description	Product Code
Circular spigots	
NOX filter housing with G3/Carbon filters up to 21 l/s, ø 125 mm connections	NOX21125
NOX filter housing with G3/Carbon filters up to 40 l/s, ø 125 mm connections	NOX40125
NOX filter housing with G3/Carbon filters up to 60 l/s, ø 150 mm connections	NOX60150
NOX filter housing with G3/Carbon filters up to 80 l/s, ø 150 mm connections	NOX80150
NOX filter housing with G3/Carbon filters up to 60 l/s, ø 160 mm connections	NOX60160
NOX filter housing with G3/Carbon filters up to 80 l/s, ø 160 mm connections	NOX80160
NOX filter housing with G3/Carbon filters up to 150 l/s, ø 180 mm connections	NOX150180

Rectangular spigots

NOX filter housing with G3/Carbon filters up to 21 l/s, 204 mm x 60 mm connections	NOX21204
NOX filter housing with G3/Carbon filters up to 40 l/s, 204 mm x 60 mm connections	NOX40204
NOX filter housing with G3/Carbon filters up to 60 l/s, 220 mm x 90 mm connections	NOX60220
NOX filter housing with G3/Carbon filters up to 80 l/s, 220 mm x 90 mm connections	NOX80220

Replacement filters

Filter replacement set for NOX 21, 1 x G3 + 9 x Carbon	NOX21FIL
Filter replacement set for NOX 40, 1 x G3 + 9 x Carbon	NOX40FIL
Filter replacement set for NOX 60, 1 x G3 + 9 x Carbon	NOX60FIL
Filter replacement set for NOX 80, 1 x G3 + 13 x Carbon	NOX80FIL
Filter replacement set for NOX 150, 1 x G3 + 16 x Carbon	NOX150FIL

Technical Specification

Housing material	Galvanised Steel
Operating temperature range	-5 to +55°C
Operating relative air humidity range	20 to 80%
Pre-filter grade	G3
Bulk density	520 Kg/m ³
Nominal diameter of cylindrical pellets	4.0 mm
Nominal length of cylindrical pellets	8.0 mm
Removal capacity of Cl2 of own weight	0.2
Height	145 mm
Width	725 mm
Depth	415 mm
Weight	13.4 kg
Maximum recommended air volume	21 l/s (75.6 m ³ /h)
Spigot size	125 mm ø
Filter replacement set	NOX21FIL

Sound Data

	Octave Band (Hz) Insertion Loss, dB							
	63	125	250	500	1000	2000	4000	8000
Zehnder NOx21 - NOx150 with G3 filter	6	4	2	2	2	3	8	5

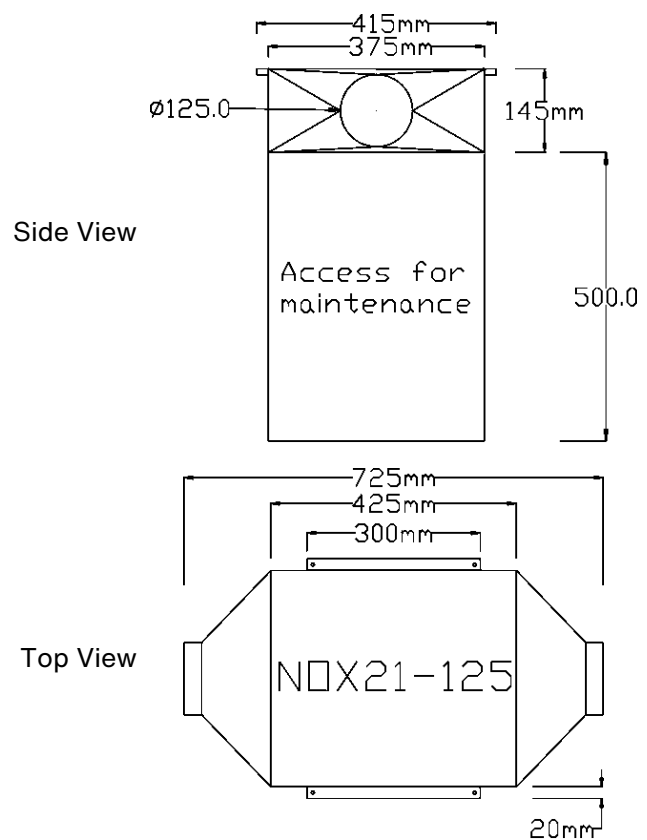
NOX filter housing with G3/Carbon filters up to 21 l/s, ø 125 mm connections

Article number: NOX21125

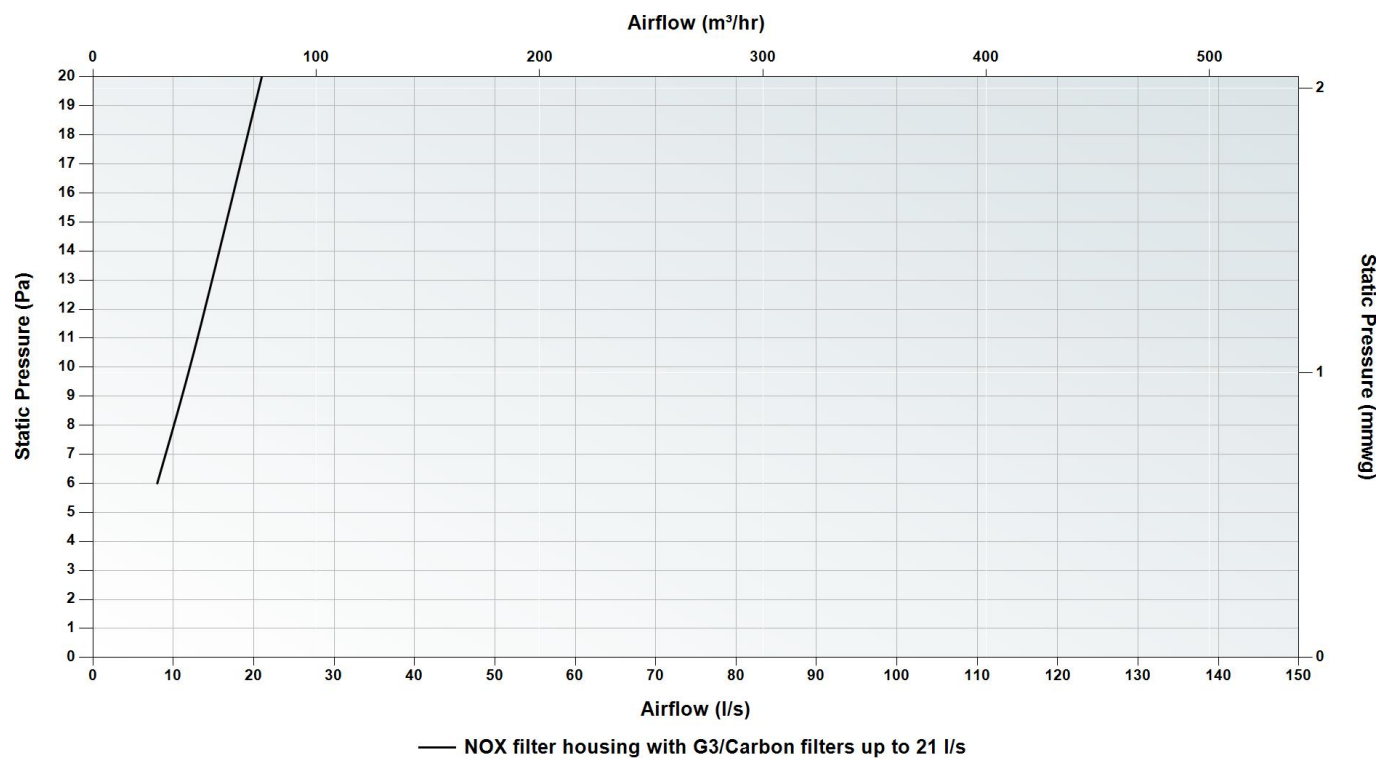
Technical Specification

Height	145 mm
Width	725 mm
Depth	415 mm
Weight	13.4 kg
Maximum recommended air volume	21 l/s (75.6 m ³ /h)
Spigot size	125 mm ø
Filter replacement set	NOX21FIL

Dimensions



Pressure Curve



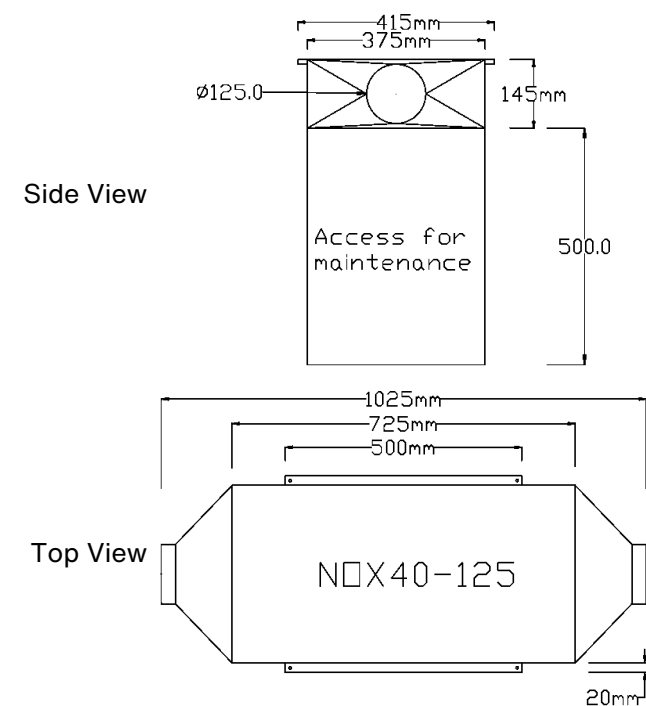
NOX filter housing with G3/Carbon filters up to 40 l/s, ø 125 mm connections

Article number: NOX40125

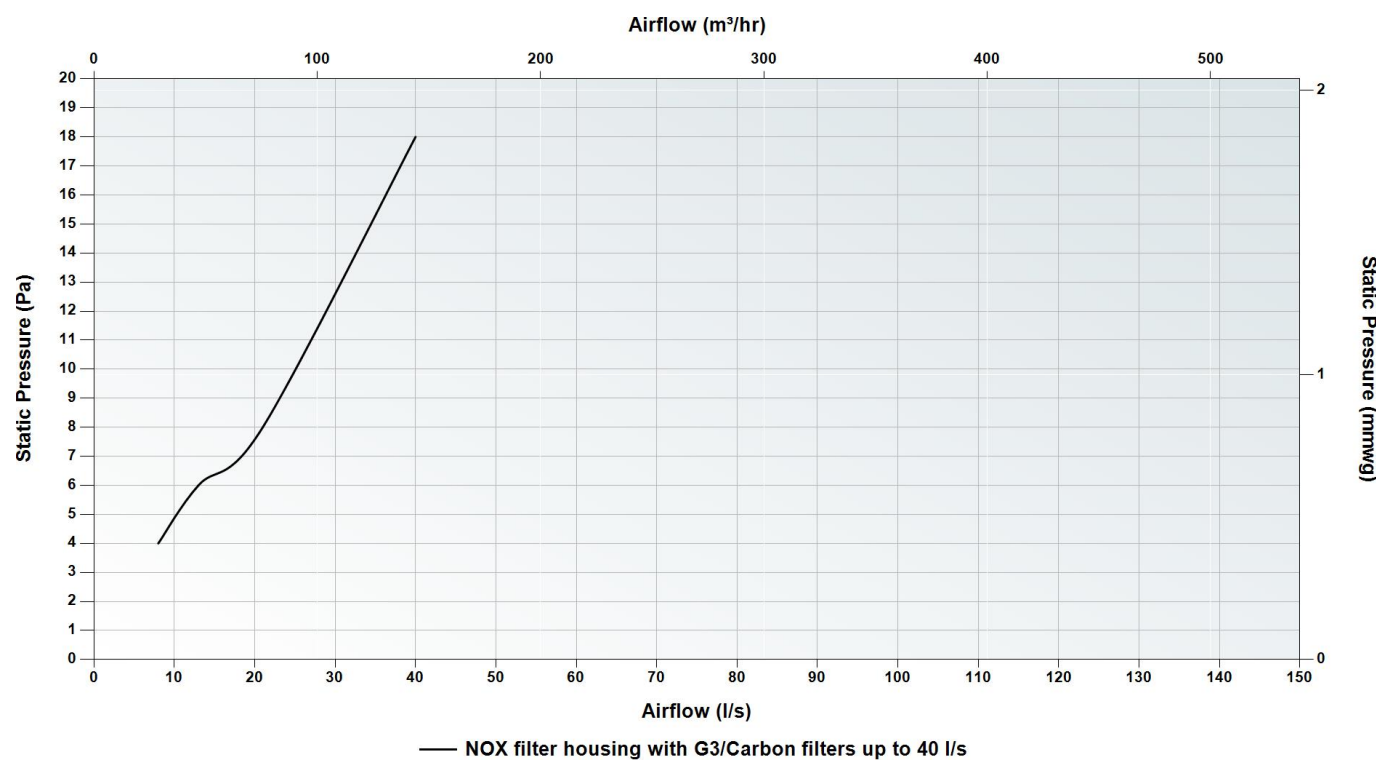
Technical Specification

Height	145 mm
Width	1025 mm
Depth	415 mm
Weight	20.5 kg
Maximum recommended air volume	40 l/s (144 m ³ /h)
Spigot size	125 mm ø
Filter replacement set	NOX40FIL

Dimensions



Pressure Curve



Dimensions

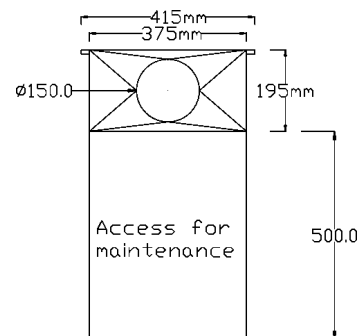
NOX filter housing with G3/Carbon filters up to 60 l/s, ø 150 mm connections

Article number: NOX60150

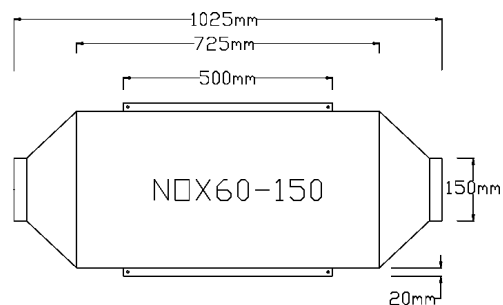
Technical Specification

Height	195 mm
Width	1025 mm
Depth	415 mm
Weight	25.1 kg
Maximum recommended air volume	60 l/s (216 m ³ /h)
Spigot size	150 mm ø
Filter replacement set	NOX60FIL

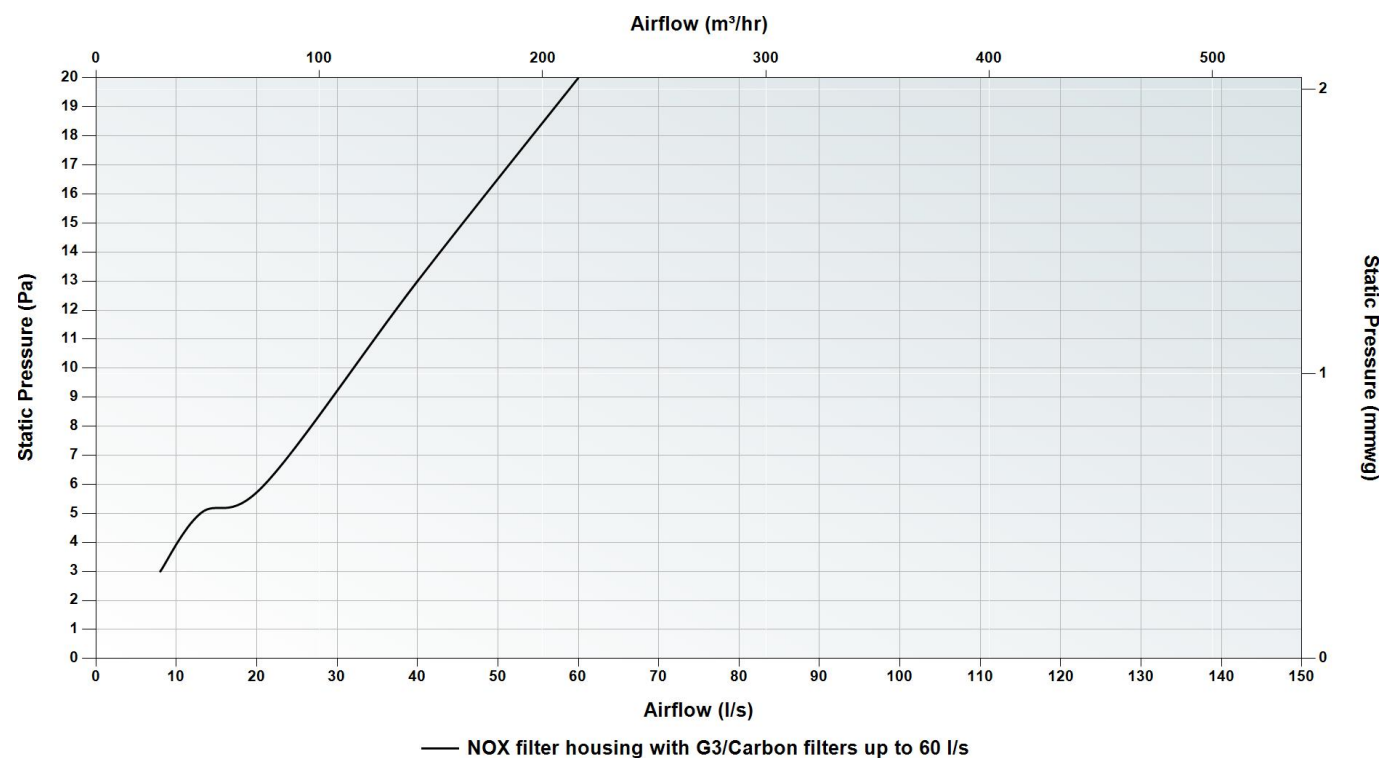
Side View



Top View



Pressure Curve



Dimensions

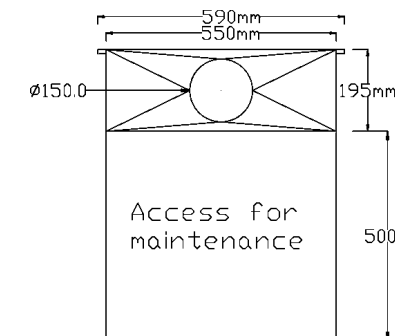
NOX filter housing with G3/Carbon filters up to 80 l/s, ø 150 mm connections

Article number: NOX80150

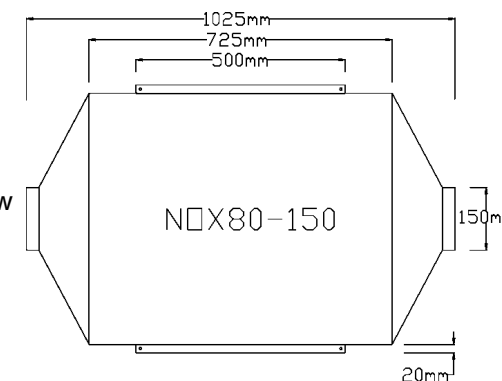
Technical Specification

Height	195 mm
Width	1025 mm
Depth	590 mm
Weight	34.2 kg
Maximum recommended air volume	80 l/s (288 m ³ /h)
Spigot size	150 mm ø
Filter replacement set	NOX80FIL

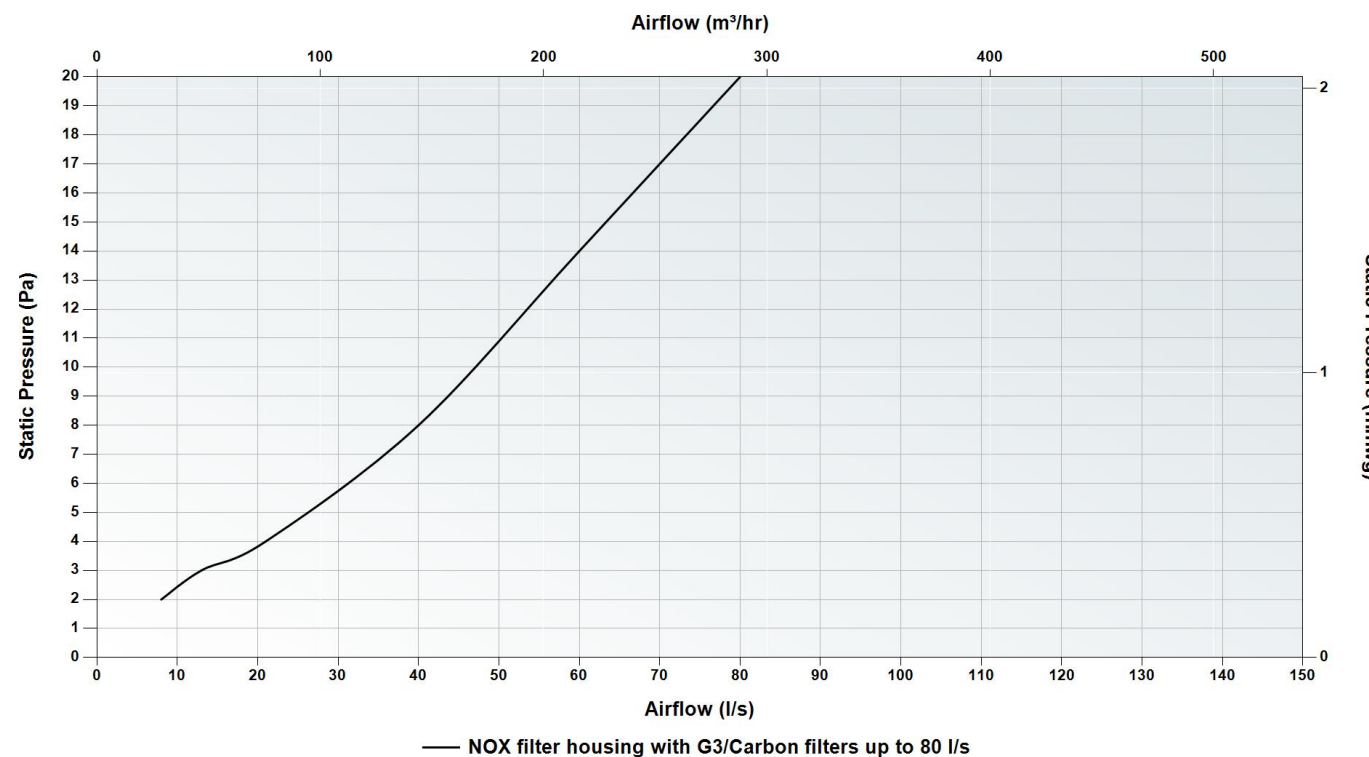
Side View



Top View



Pressure Curve



Dimensions

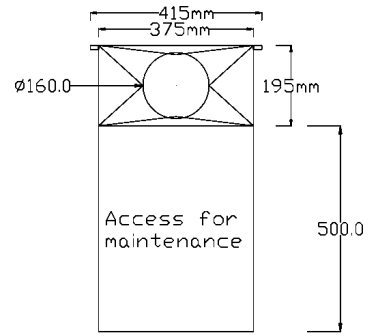
NOX filter housing with G3/Carbon filters up to 60 l/s, ø 160 mm connections

Article number: NOX60160

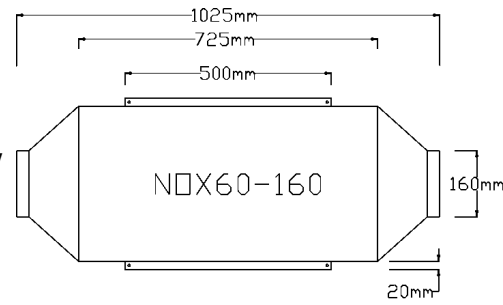
Technical Specification

Height	195 mm
Width	1025 mm
Depth	415 mm
Weight	25.1 kg
Maximum recommended air volume	60 l/s (216 m ³ /h)
Spigot size	160 mm ø
Filter replacement set	NOX60FIL

Side View



Top View



Dimensions

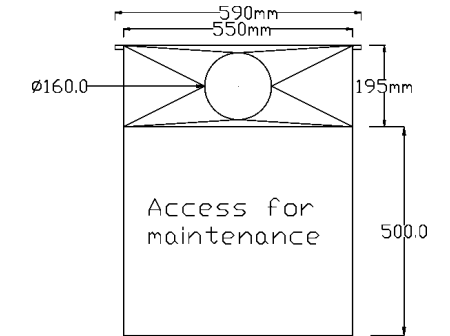
NOX filter housing with G3/Carbon filters up to 80 l/s, ø 160 mm connections

Article number: NOX80160

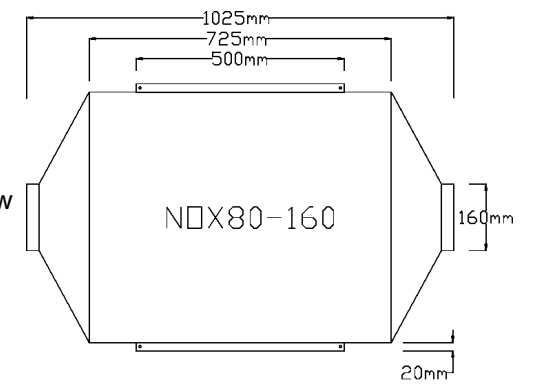
Technical Specification

Height	195 mm
Width	1025 mm
Depth	590 mm
Weight	34.2 kg
Maximum recommended air volume	80 l/s (288 m ³ /h)
Spigot size	160 mm ø
Filter replacement set	NOX80FIL

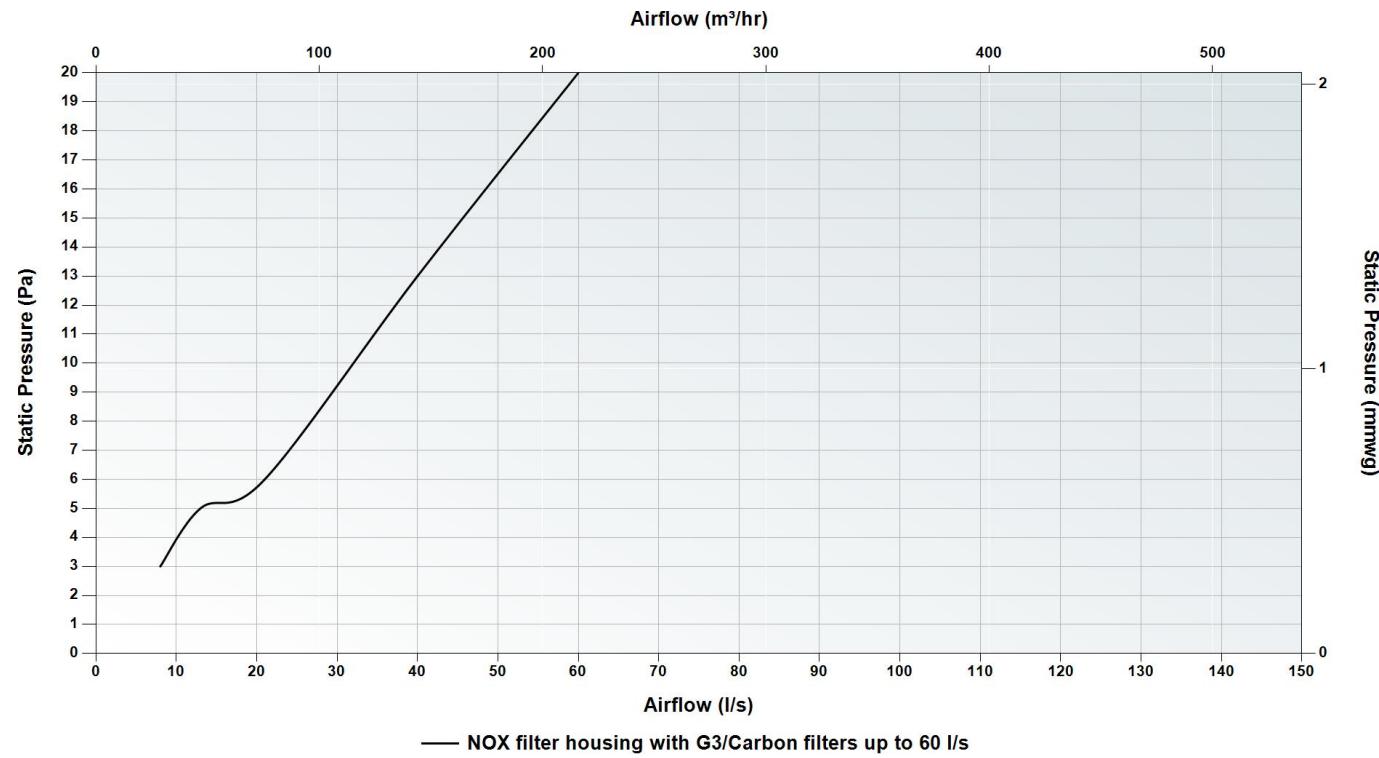
Side View



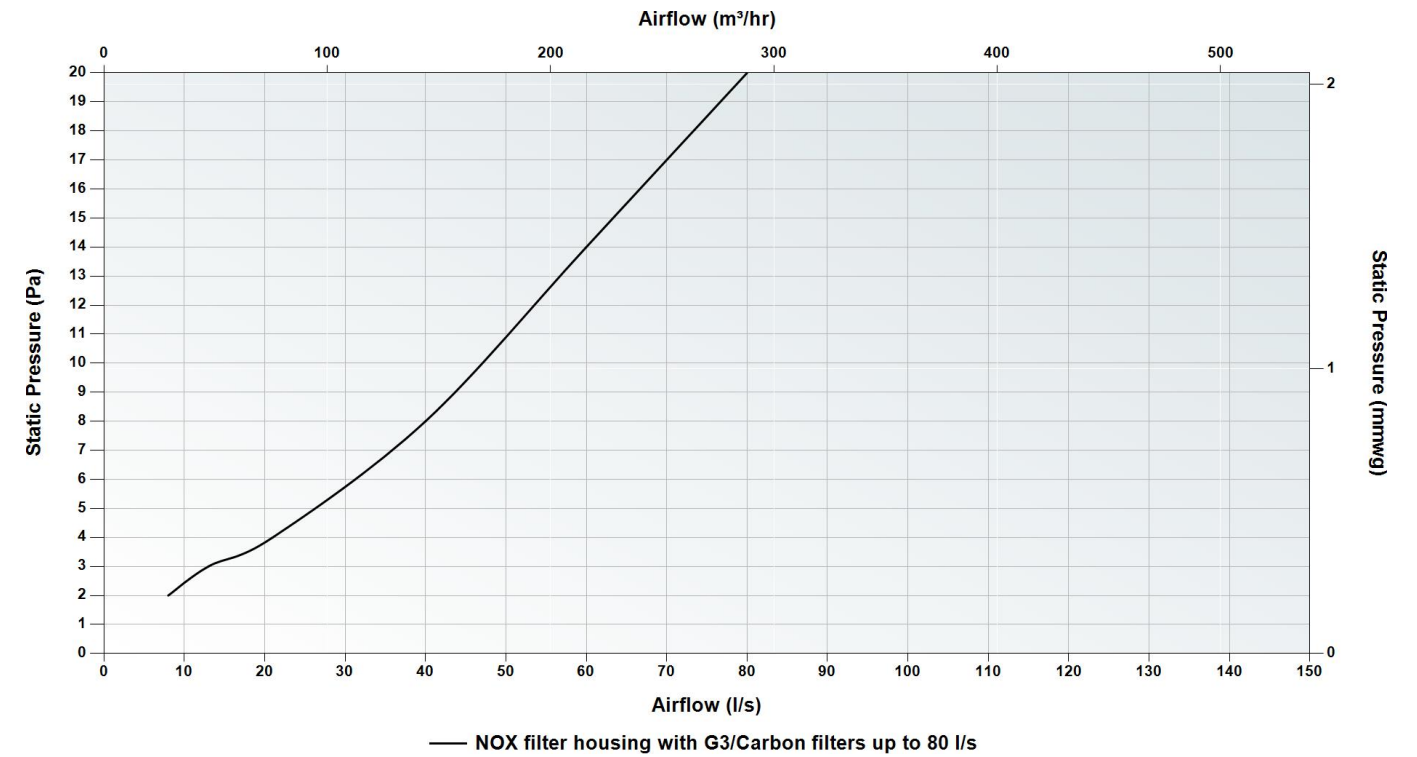
Top View



Pressure Curve



Pressure Curve



Dimensions

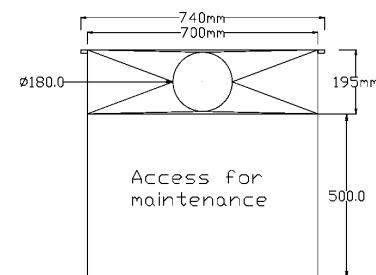
NOX filter housing with G3/Carbon filters up to 150 l/s, ø 180 mm connections

Article number: NOX150180

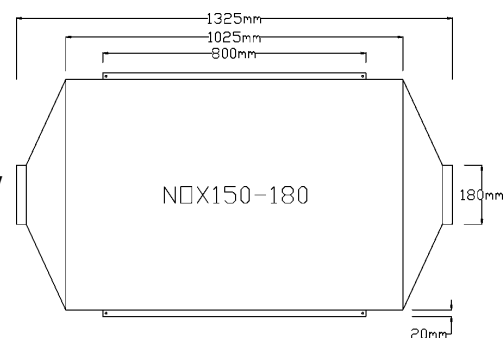
Technical Specification

Height	195 mm
Width	1325 mm
Depth	740 mm
Weight	56.6 kg
Maximum recommended air volume	150 l/s (540 m ³ /h)
Spigot size	180 mm ø
Filter replacement set	NOX150FIL

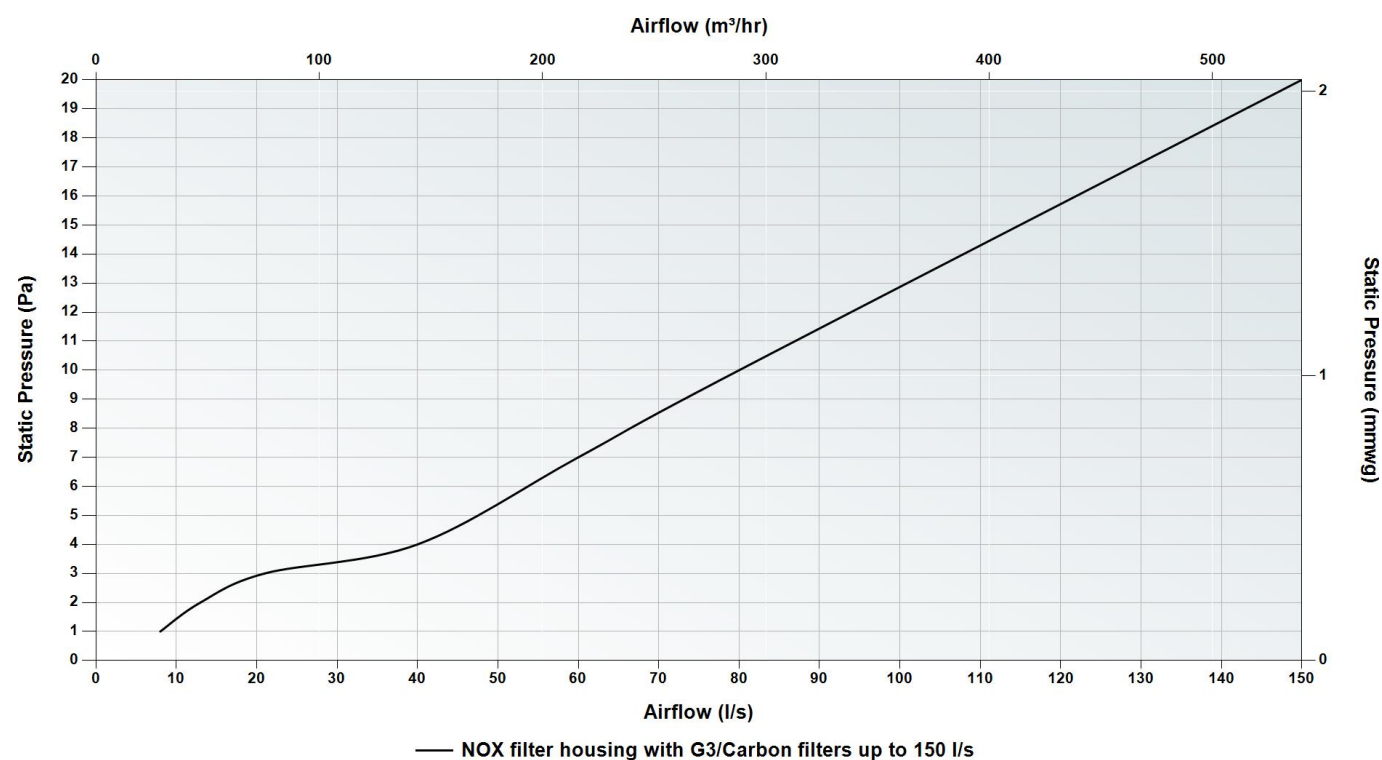
Side View



Top View



Pressure Curve



Dimensions

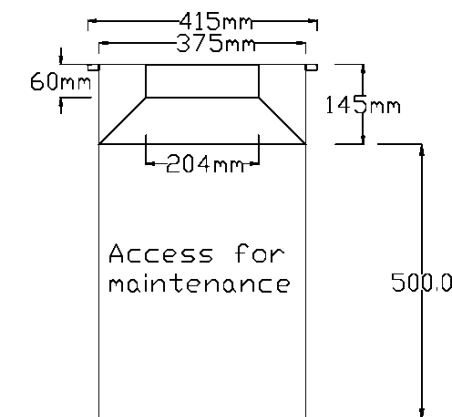
NOX filter housing with G3/Carbon filters up to 21 l/s, 204 mm x 60 mm connections

Article number: NOX21204

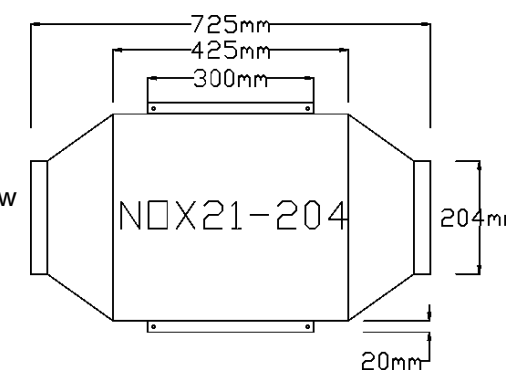
Technical Specification

Height	145 mm
Width	725 mm
Depth	415 mm
Weight	13.4 kg
Maximum recommended air volume	21 l/s (75.6 m ³ /h)
Spigot size	204x60 mm
Filter replacement set	NOX21FIL

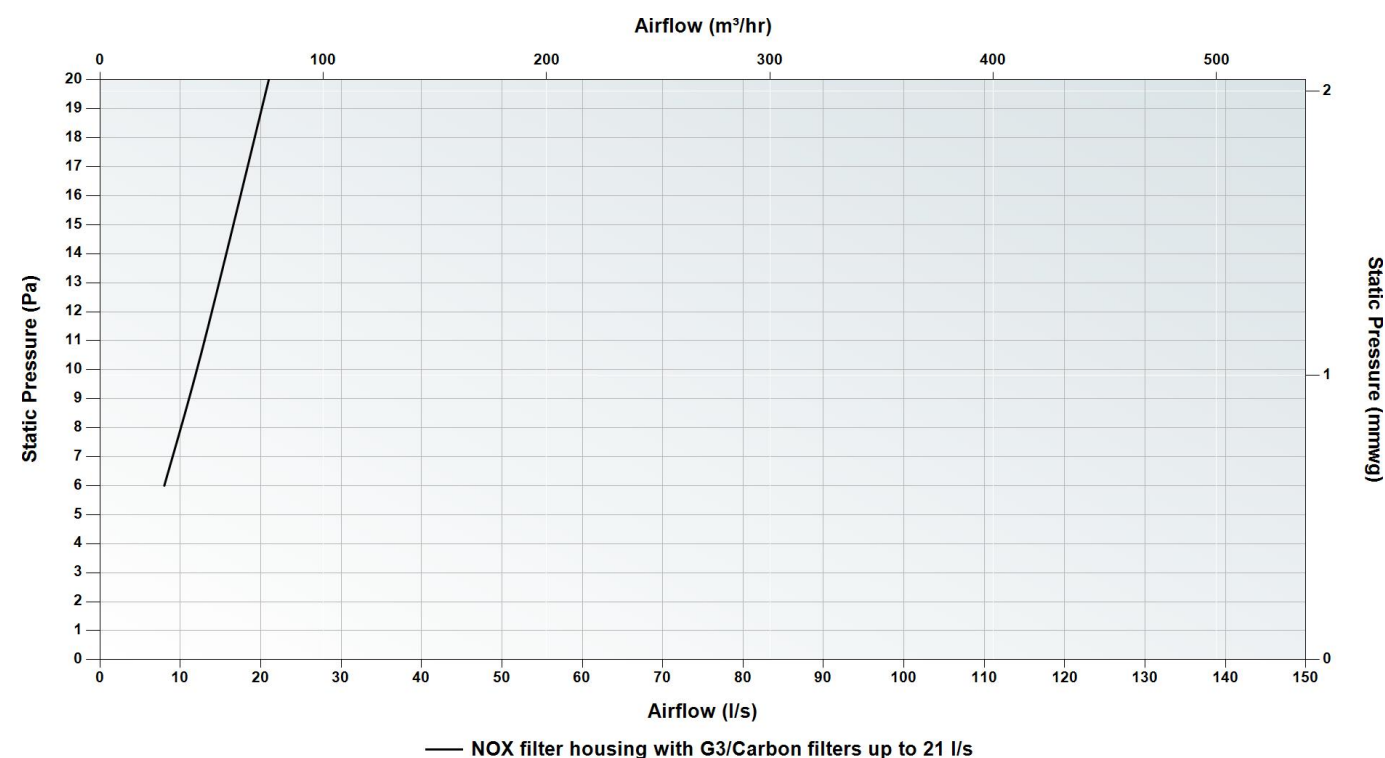
Side View



Top View



Pressure Curve



Dimensions

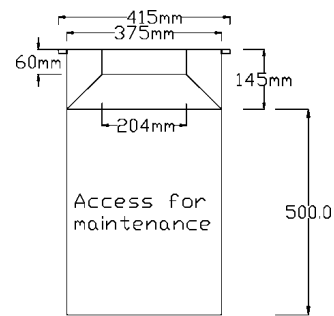
NOX filter housing with G3/Carbon filters up to 40 l/s, 204 mm x 60 mm connections

Article number: NOX40204

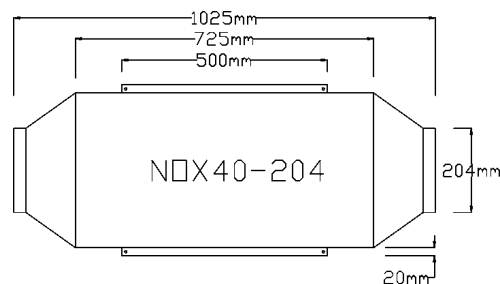
Technical Specification

Height	145 mm
Width	1025 mm
Depth	415 mm
Weight	20.5 kg
Maximum recommended air volume	40 l/s (144 m ³ /h)
Spigot size	204x60 mm
Filter replacement set	NOX40FIL

Side View



Top View



Dimensions

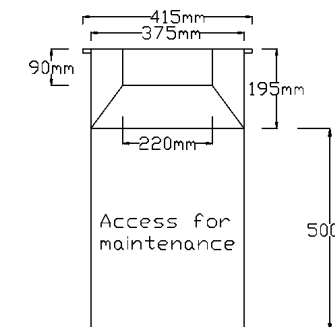
NOX filter housing with G3/Carbon filters up to 60 l/s, 220 mm x 90 mm connections

Article number: NOX60220

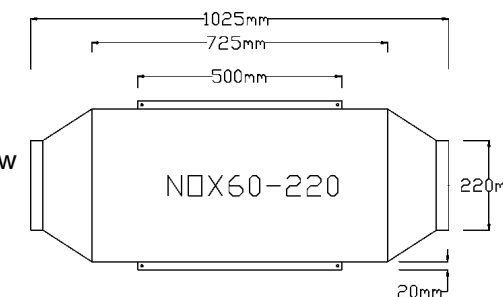
Technical Specification

Height	195 mm
Width	1025 mm
Depth	415 mm
Weight	25.1 kg
Maximum recommended air volume	60 l/s (216 m ³ /h)
Spigot size	220x90 mm
Filter replacement set	NOX60FIL

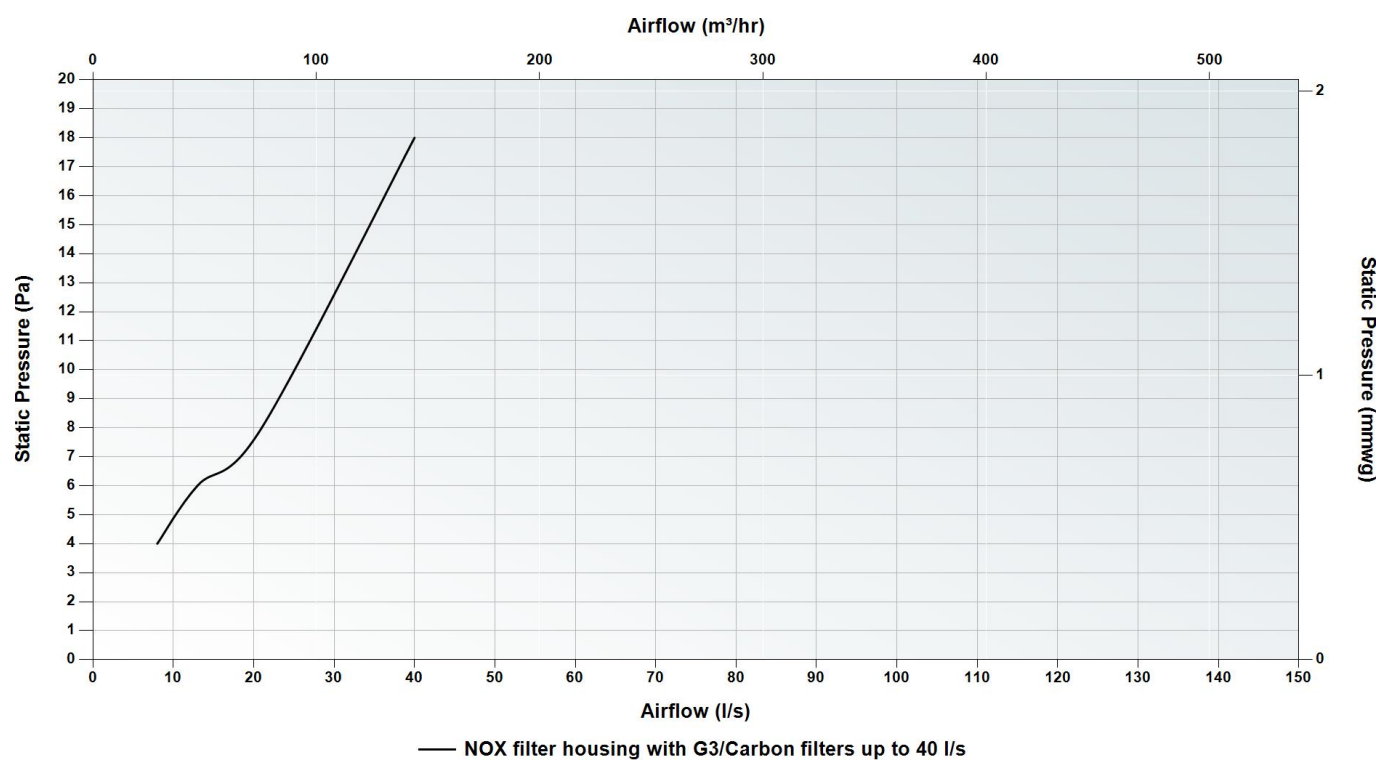
Side View



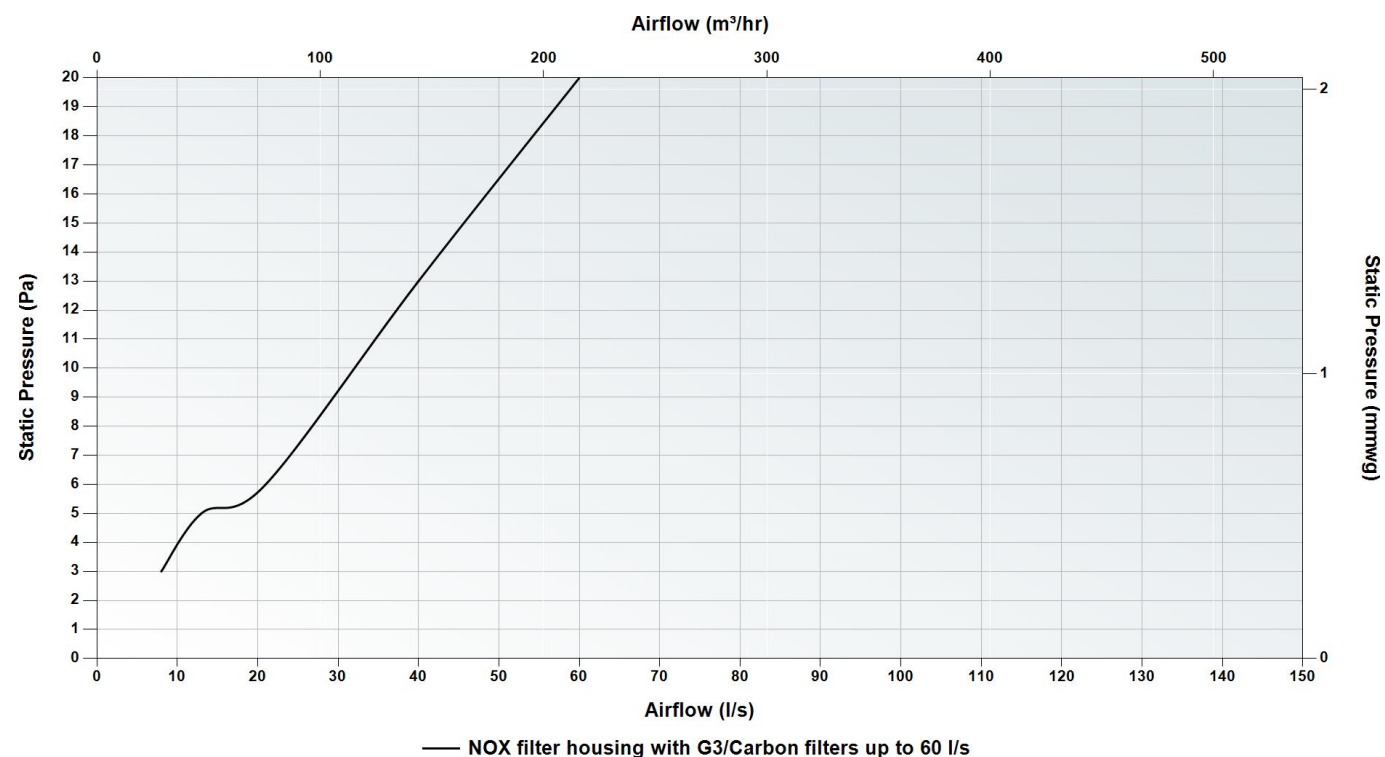
Top View



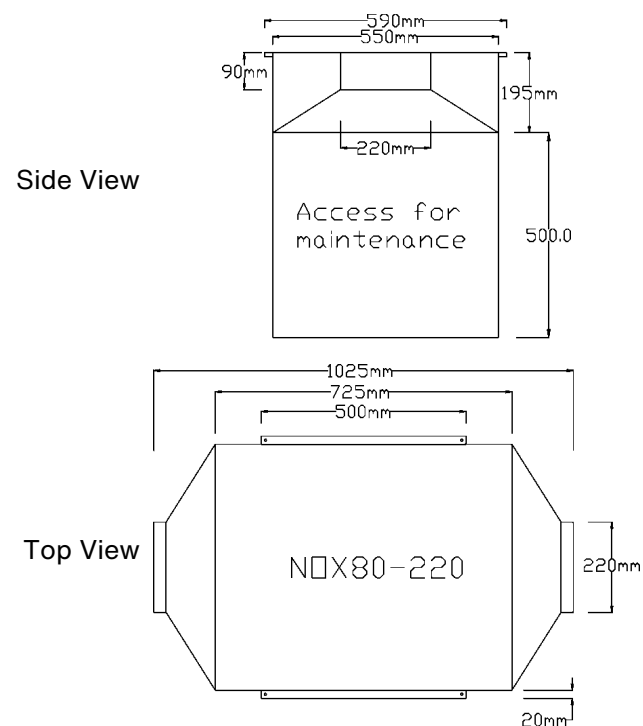
Pressure Curve



Pressure Curve



Dimensions



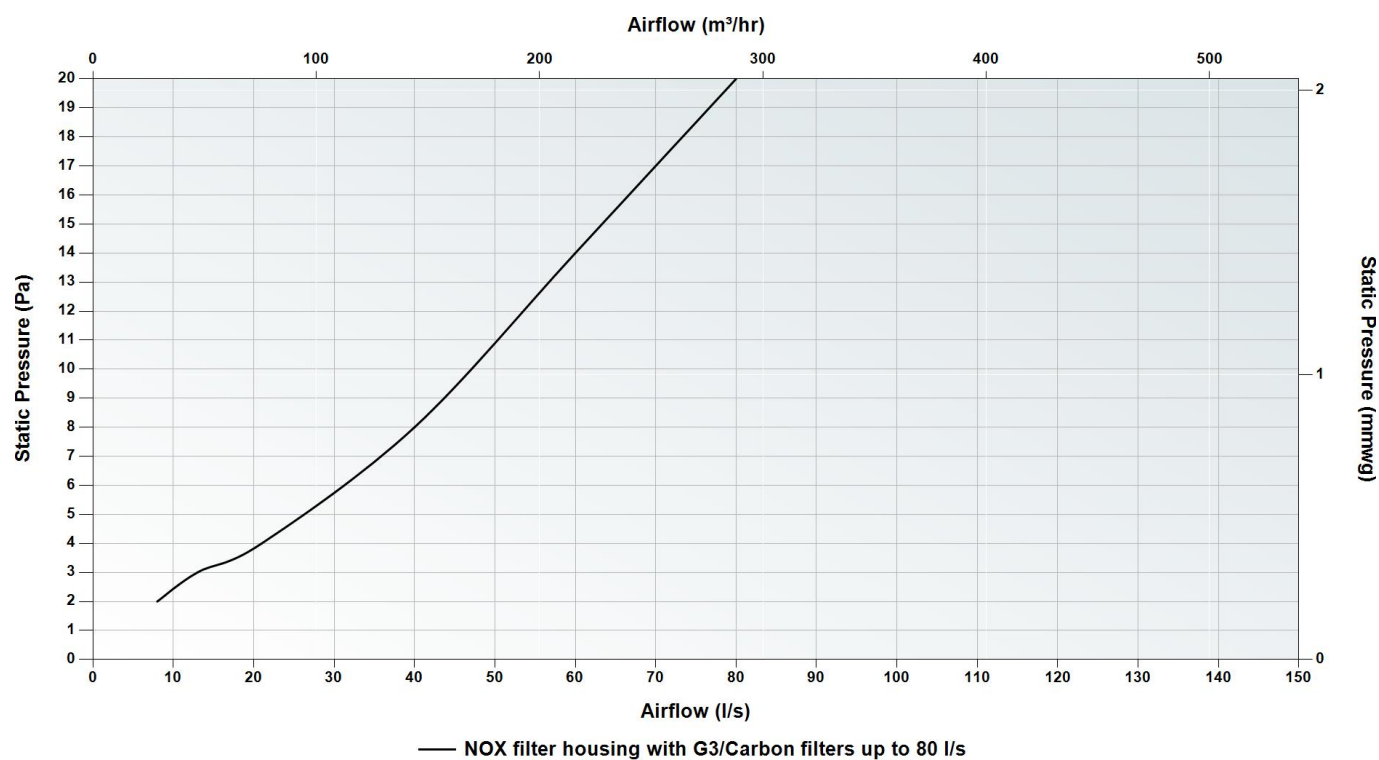
NOX filter housing with G3/Carbon filters up to 80 l/s, 220 mm x 90 mm connections

Article number: NOX80220

Technical Specification

Height	195 mm
Width	1025 mm
Depth	590 mm
Weight	34.2 kg
Maximum recommended air volume	80 l/s (288 m ³ /h)
Spigot size	220x90 mm
Filter replacement set	NOX80FIL

Pressure Curve



For use with

Our range of NOx filters can be used with our extensive range of MVHR units from our small CA155WM-GB through to our ComfoAir Q 600.



[TO VIEW OUR RANGE OF UNITS](#)

[CLICK HERE](#)

BIM/CAD Components

If you would like to download the BIM / CAD files for this or any other of our products then please visit our BIM library.

[TO VISIT OUR BIM/CAD LIBRARY](#)

[CLICK HERE](#)

Installation Instructions

If you would like to download the installation files for this or any other of our products then please visit our download page by clicking the link below.

[TO VISIT OUR DOWNLOAD PAGE](#)

[CLICK HERE](#)

Our Informational Videos



Watch Carl discuss ventilation strategy for AQMA's (Air Quality Management Areas) where additional high grade NOx filtration is required in conjunction with Heat Recovery Ventilation. Learn about how the filter works and key considerations for specification.

TO WATCH OUR VIDEO

[CLICK HERE](#)

Consultant Specification

Specification

The NOx filter housing shall be constructed of galvanised steel. The operating temperature range shall be between -5°C and 55°C and operating humidity range between 20% and 80%. The filter shall be designed to add no more than 20 Pa to the system pressure and have screw access from the front and will include a colour cell and glass panel to indicate when the filter needs replacing.

The filter shall comply with the EU Directive 2008/50/EC (the CAFÉ Directive) European Union Air Quality and Clean Air for Europe 2008.