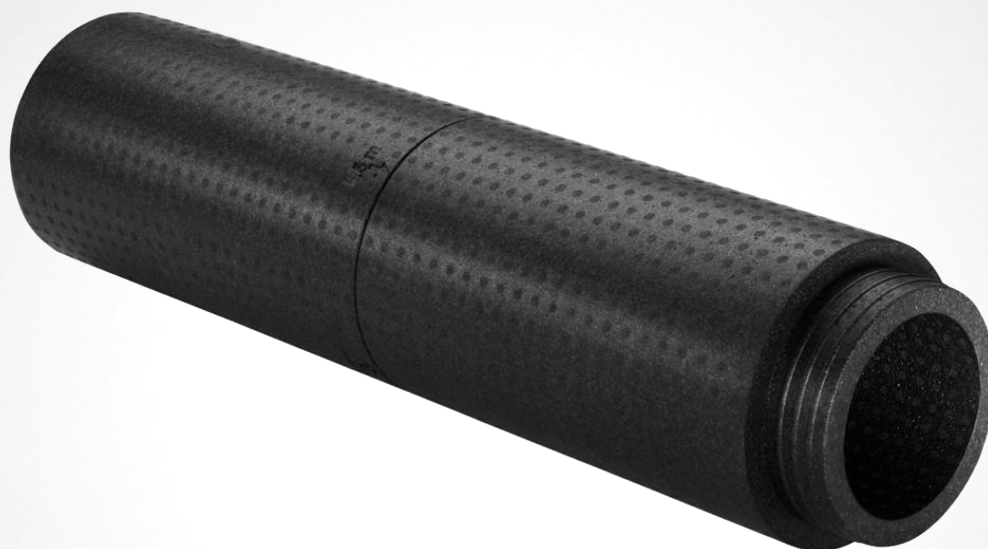


Zehnder ComfoPipe Plus ø 200 mm

Round Pre-Insulated Ductwork

Product data sheet

always the best climate



ComfoPipe Plus ø 200 mm

The Zehnder ComfoPipe Plus ø 200 mm self-seal insulated ducting is perfect for exceeding Building Regulations for insulation whilst minimising air leakage making it ideal for premium self build projects or PassivHaus developments. The lightweight and robust ductwork along with the self-seal connection mean this can be installed much faster than conventional rockwool insulation.

The thermal bridge free connections eliminate the need for tape, sealant and screws and also meets the requirements set out in [DIN 1946-6](#) with a much thinner wall thickness (43 mm reduced from 60 mm).



Key Features

- Easy and quick to install
- Airtight
- Exceeds Building Regulations
- Perfect for premium self-build or PassivHaus developments
- Simple push fit connection
- Lightweight and easy to handle
- No sealant or tape required
- Minimal components to simplify installation

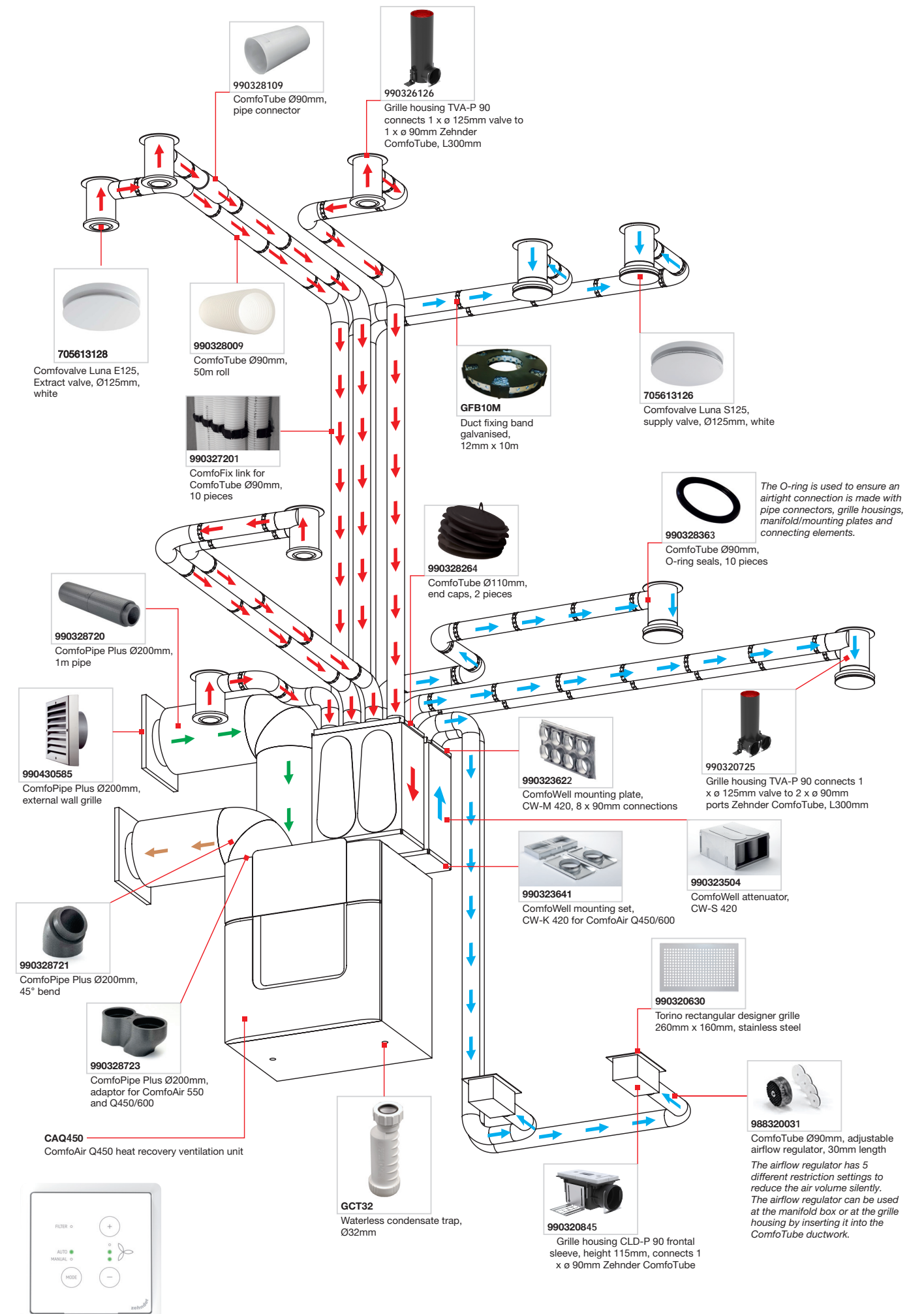
Article Numbers

Description	Product Code
Zehnder ComfoPipe Plus ø 200 mm, 1 m duct	990 328 720
Zehnder ComfoPipe Plus ø 200 mm, 45° bend	990 328 721
Zehnder ComfoPipe Plus ø 200 mm, duct connector	990 328 722
Zehnder ComfoPipe Plus ø 200 mm, adaptor for Zehnder ComfoAir 550 and Q450/600	990 328 723
Zehnder ComfoPipe Plus ø 200mm, single adaptor for Q450/600 with ComfoFond-L Q	990 328 751
Zehnder ComfoPipe Plus ø 200 mm, external wall grille	990 430 585
Combined external wall grille, 2 x ø 200 mm connections, right-hand	990 430 596
Combined external wall grille, 2 x ø 200 mm connections, left-hand	990 430 597

Technical Specification

Material	Expanded Polypropylene (EPP)
Recycled material content	30%
Operating temperature range	-25 to +80°C
Maximum recommended air volume	125 l/s (450 m ³ /h)
Free area	31,416 mm ²
Thermal conductivity	0.035 W/mK
Thickness	43 mm
Thermal Resistance	1.229 m ² K/W
Fire rating in accordance with EN 13501-1	E
Meets DIN 1946-6	Yes

3D System Layout



Zehnder ComfoPipe Plus ø 200 mm

Article number: 990 328 720

Description

Insulated duct:

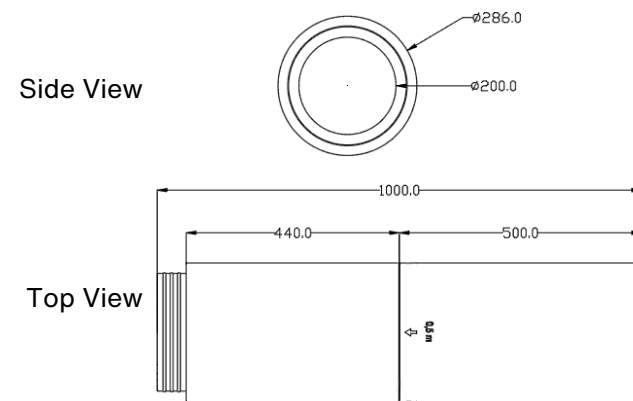
Insulated duct available in 1 m lengths. Each length comes complete with a premoulded single male duct to duct connector to fit into the next straight length of duct or a 45° bend.

Technical Specification

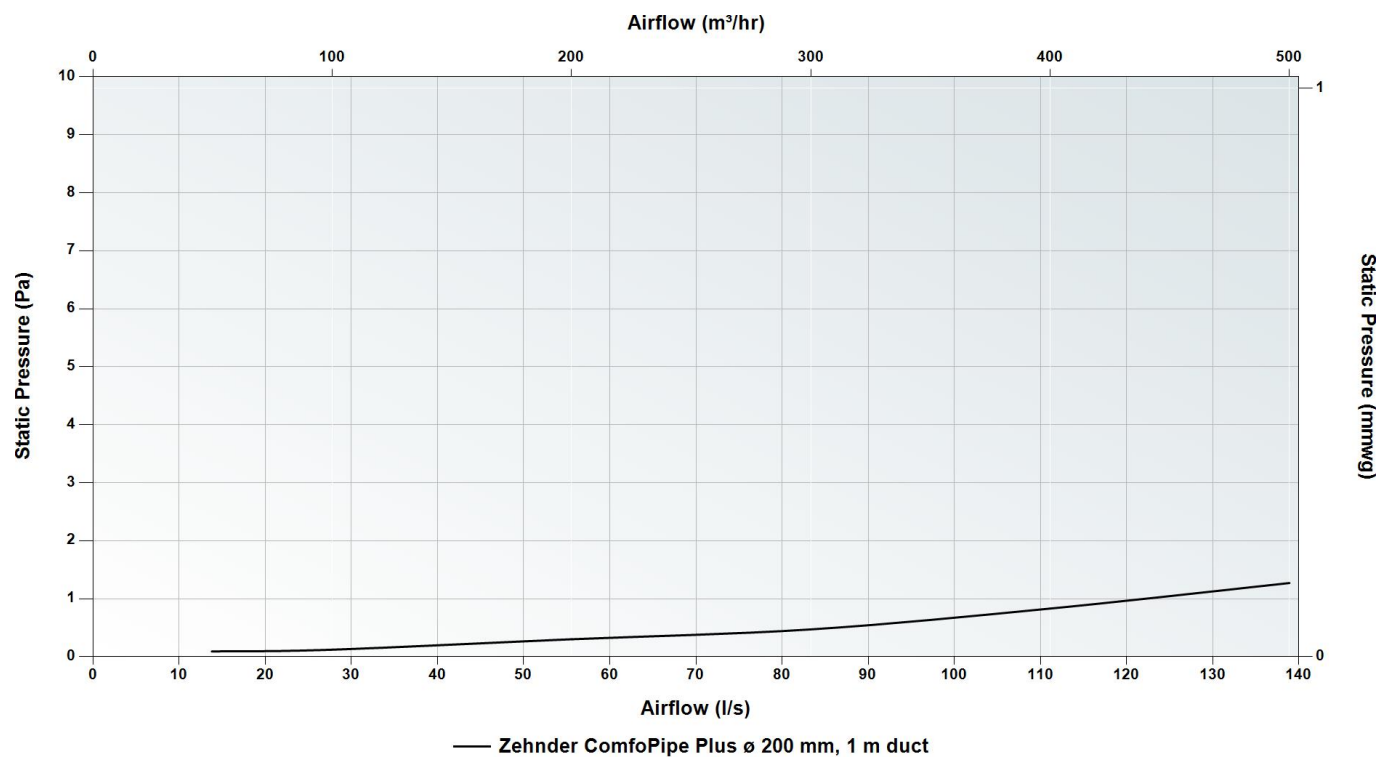
Outside diameter	286 mm
Inside diameter	200 mm
Length	1000 mm
Weight	1.313 kg



Dimensions



Pressure Curve



Zehnder ComfoPipe Plus ø 200 mm 90° / 45° Bend

Article number: 2 x 990 328 721 combined / 990 328 721

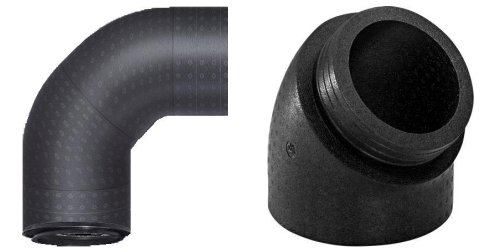
Description

Insulated bend:

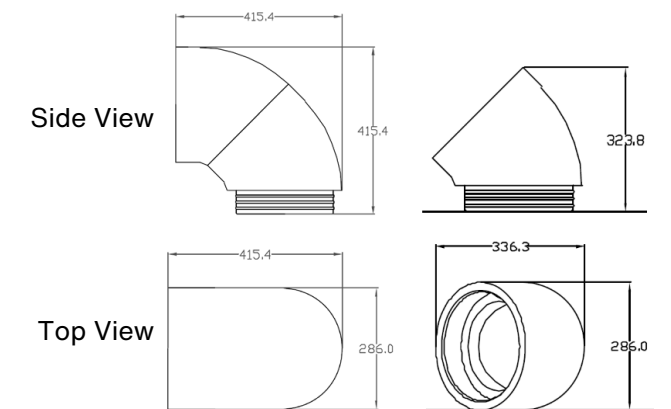
Insulated bend available in 45°, two can be combined to form 90°. Each bend comes complete with a premoulded single male connector to securely connect to a straight length of insulated duct or another 45° bend.

Technical Specification

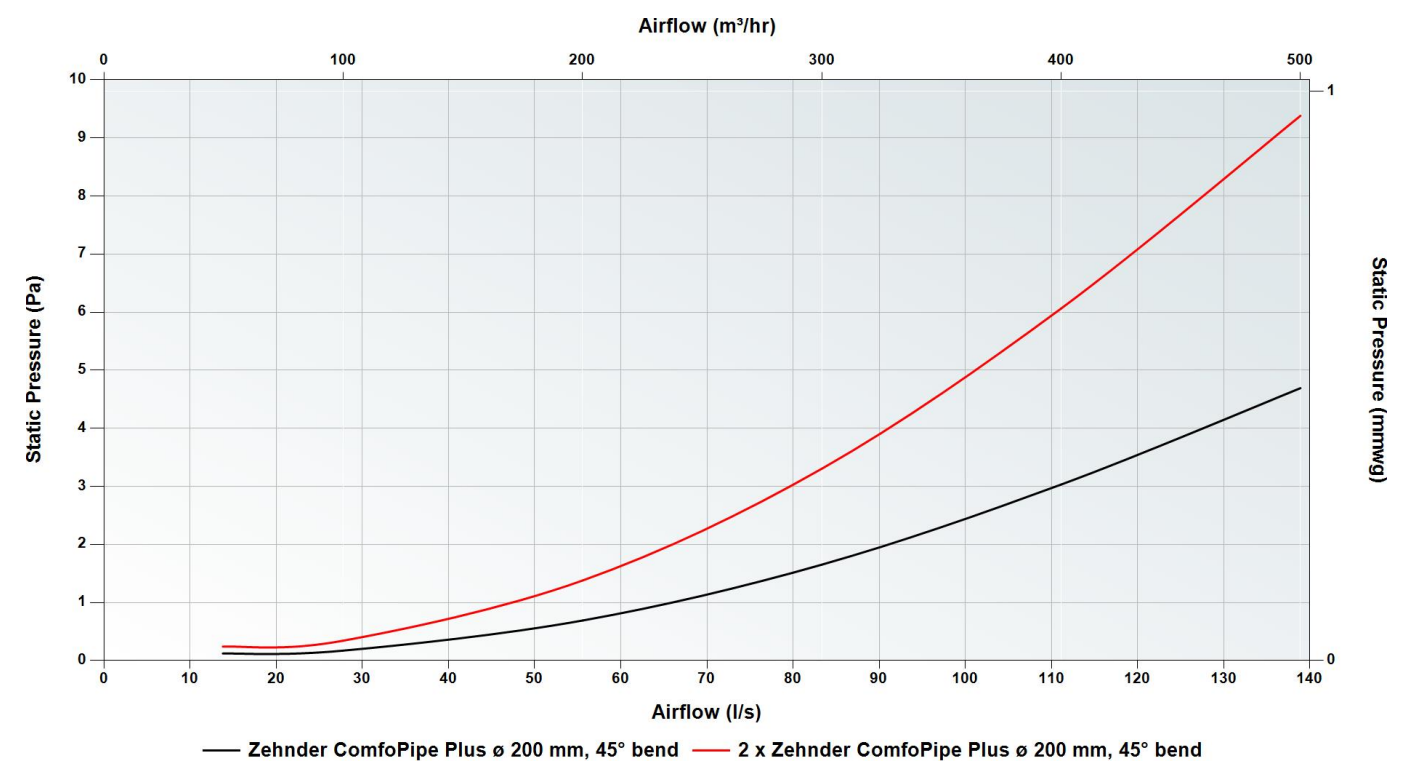
Angle	90° / 45°
Height	415.4 mm / 323.8 mm
Width	415.4 mm / 336.3 mm
Depth	286 mm
Weight	0.542 kg / 0.271 kg



Dimensions



Pressure Curve



Zehnder ComfoPipe Plus ø 200 mm, duct connector

Article number: 990 328 722

Description

Coupling:

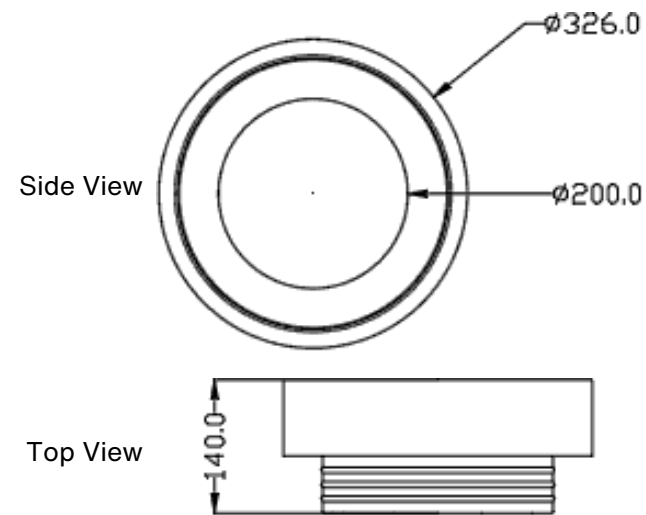
Coupling for insulated duct system to securely connect a cut length of ductwork to another straight length of insulated duct or another 45° bend.

Technical Specification

Length	140 mm
Diameter	326 mm
Weight	0.128 kg



Dimensions



Zehnder ComfoPipe Plus ø 200mm, single adaptor for Q450/600 with ComfoFond-L Q

Article number: 990 328 751

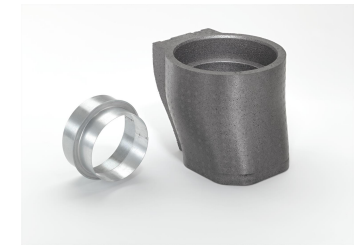
Description

Adaptor:

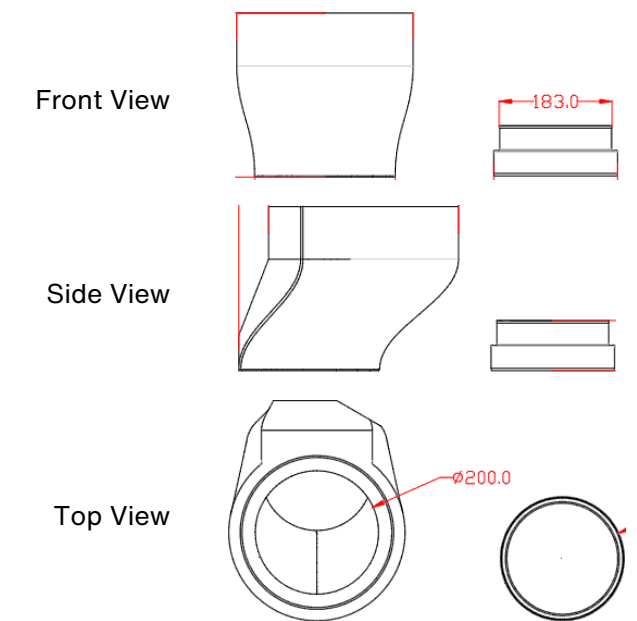
Adaptor for insulated duct system to securely connect to the ComfoAir Q450 or Q600 when installed with a ComfoFond-L Q, to enable a connection to a straight length of insulated duct or 45° bend. The bend comes complete with a connector to enable the intake for the ComfoFond-L Q to be connected to the insulated duct system.

Technical Specification

Item	Adaptor for ComfoAir Q / Adaptor for ComfoFond-L Q
Height	265 mm / 81 mm
Width	286 mm / 200.5 mm
Depth	356.7 mm / 200.5 mm
Weight (combined)	0.1 kg



Dimensions



Zehnder ComfoPipe Plus ø 200 mm, adaptor for Zehnder ComfoAir 550 and Q450/600

Article number: 990 328 723

Description

Adaptor:

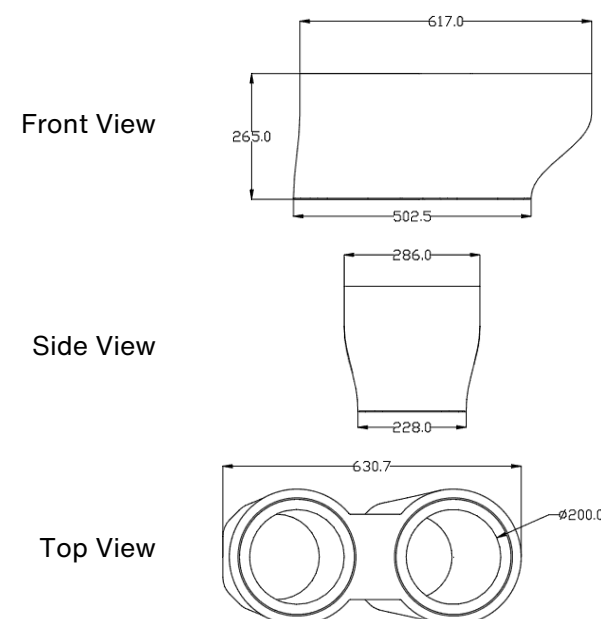
Adaptor for insulated duct system to securely connect to the ComfoAir Q450 or Q600 to enable a connection to a straight length of insulated duct or 45° bend.

Technical Specification

Height	265 mm
Width	630.7 mm
Depth	286 mm
Weight	0.678 kg



Dimensions



Zehnder ComfoPipe Plus ø 200 mm, external wall grille

Article number: 990 430 585

Description

Termination:

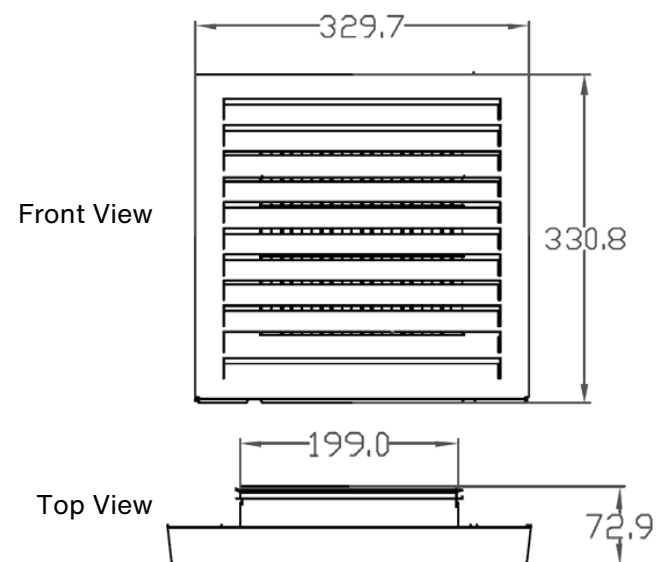
Termination for insulated duct system to securely connect to a straight length of insulated duct. Fly mesh included.

Technical Specification

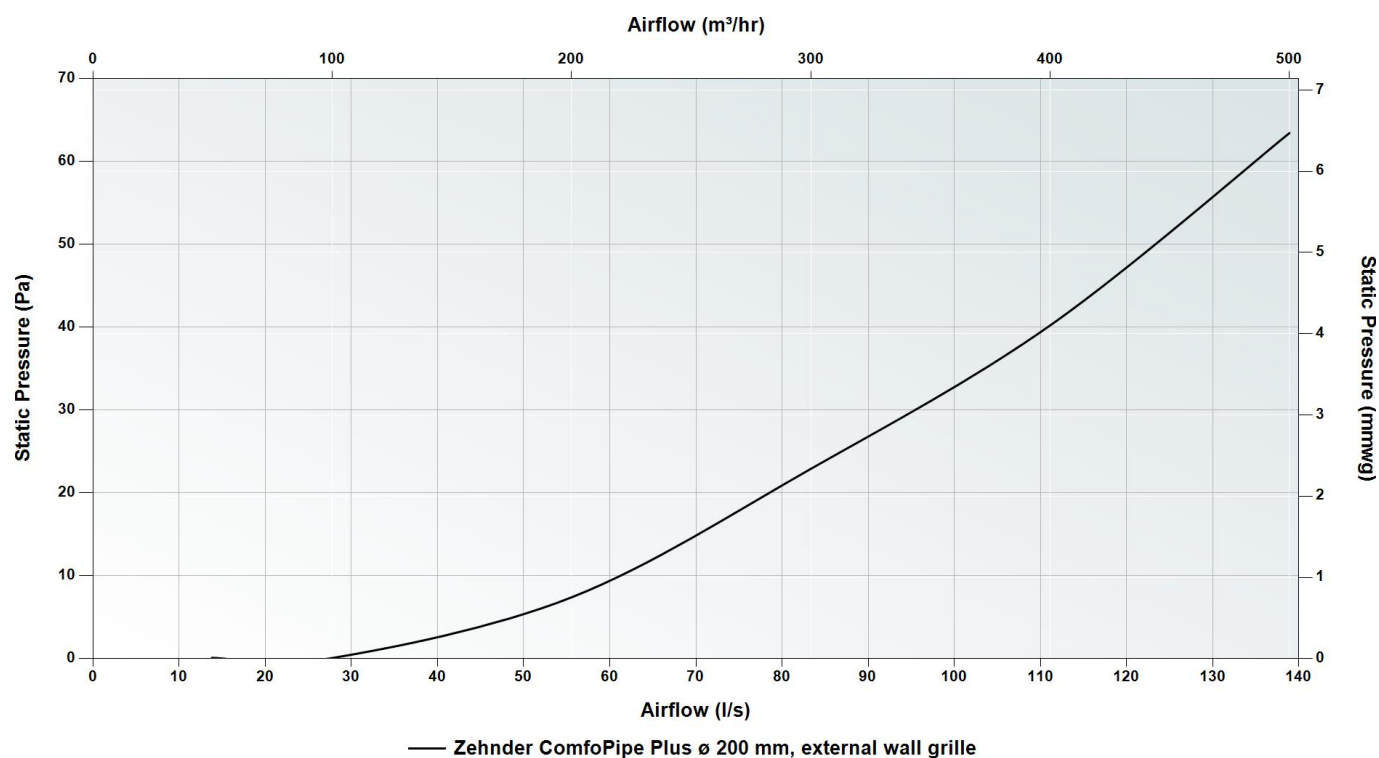
Height	330.8 mm
Width	329.7 mm
Depth	72.9 mm
Weight	1.85 kg
Material	Stainless steel
Free area	59,258 mm ²
Core drill diameter	300 mm



Dimensions



Pressure Curve



Combined external wall grille, 2 x ø 200 mm connections, right-hand

Article number: 990 430 596

Description

External termination:

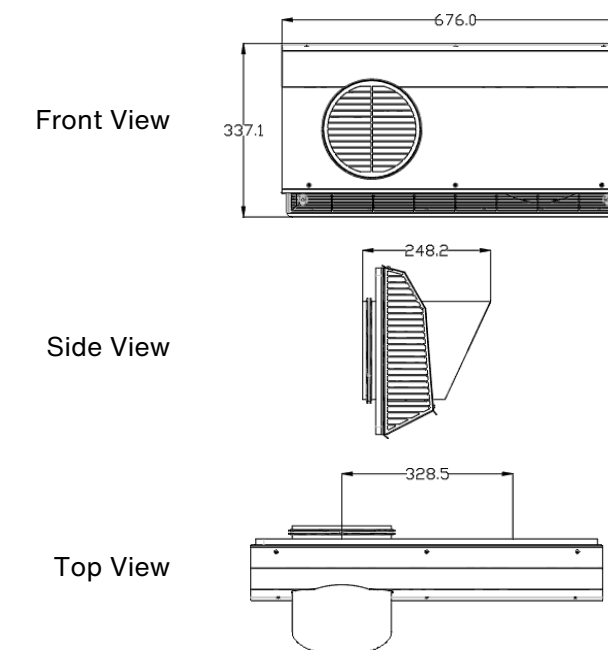
Combined intake and exhaust external termination for insulated duct system to connect to 2 x lengths of ComfoPipe Plus 200 mm (990 328 720). The termination is weather proof with a low pressure drop and tested to ensure recirculation is kept to a minimum.

Technical Specification

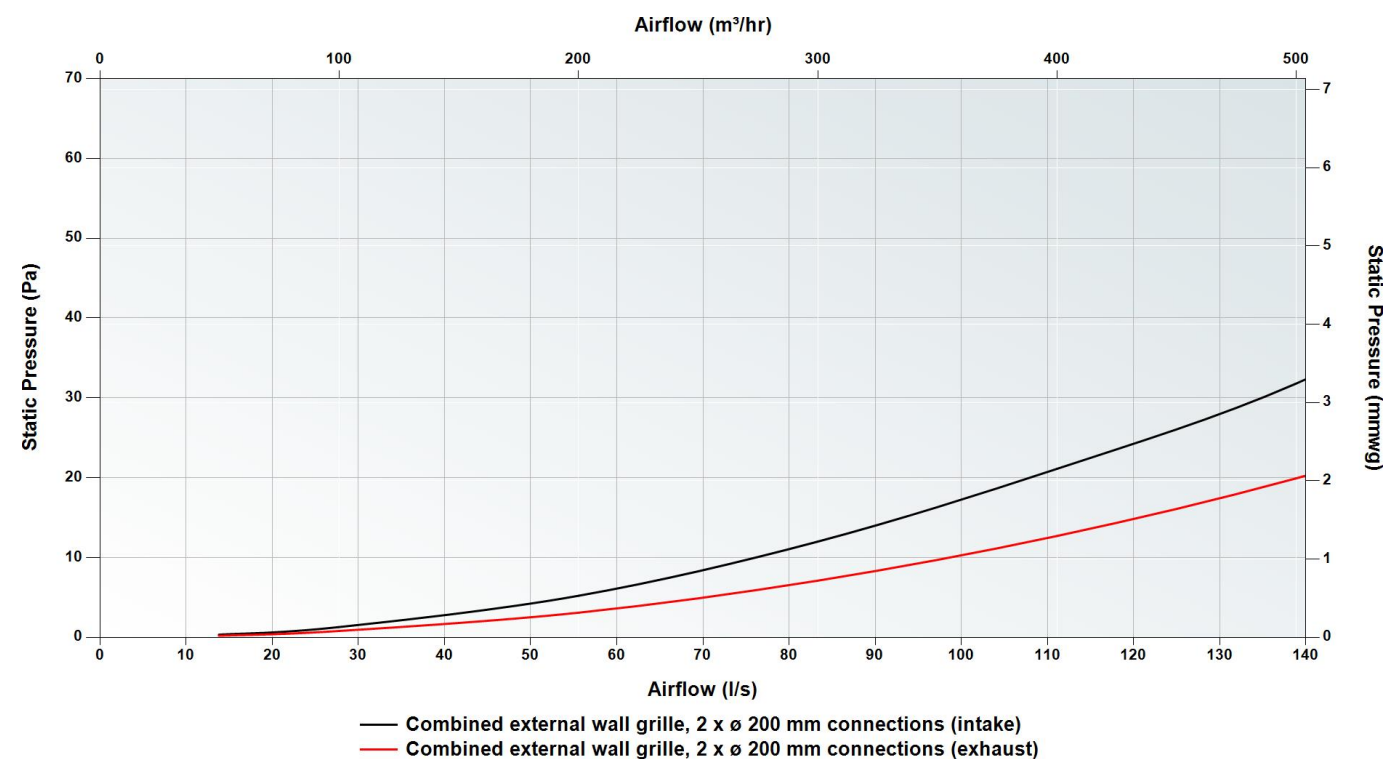
Handing	Right
Height	337.1 mm
Width	676 mm
Depth	248.2 mm
Weight	4.5 kg
Material	Stainless steel
Free area	154,790 mm ²
Core drill diameter (ComfoPipe Plus 200 mm)	2 x 290 mm
Other info	Recirculation 6% @ 5 m/s



Dimensions



Pressure Curve



Combined external wall grille, 2 x ø 200 mm connections, left-hand

Article number: 990 430 597

Description

External termination:

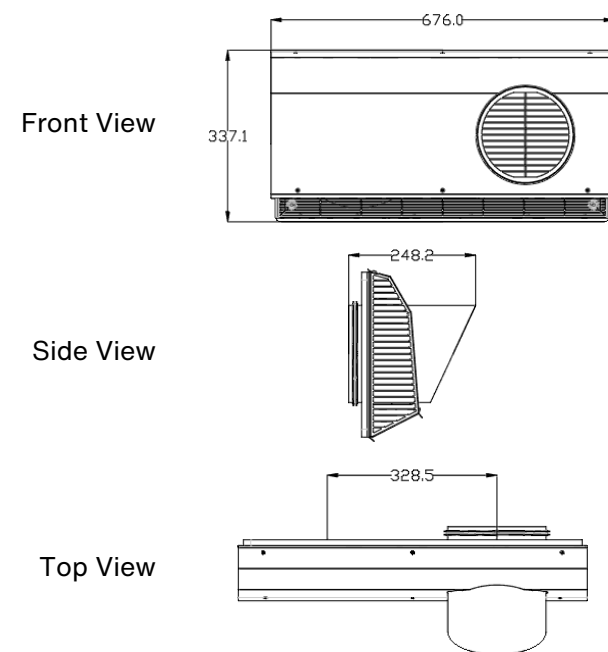
Combined intake and exhaust external termination for insulated duct system to connect to 2 x lengths of ComfoPipe Plus 200 mm (990 328 720). The termination is weather proof with a low pressure drop and tested to ensure recirculation is kept to a minimum.

Technical Specification

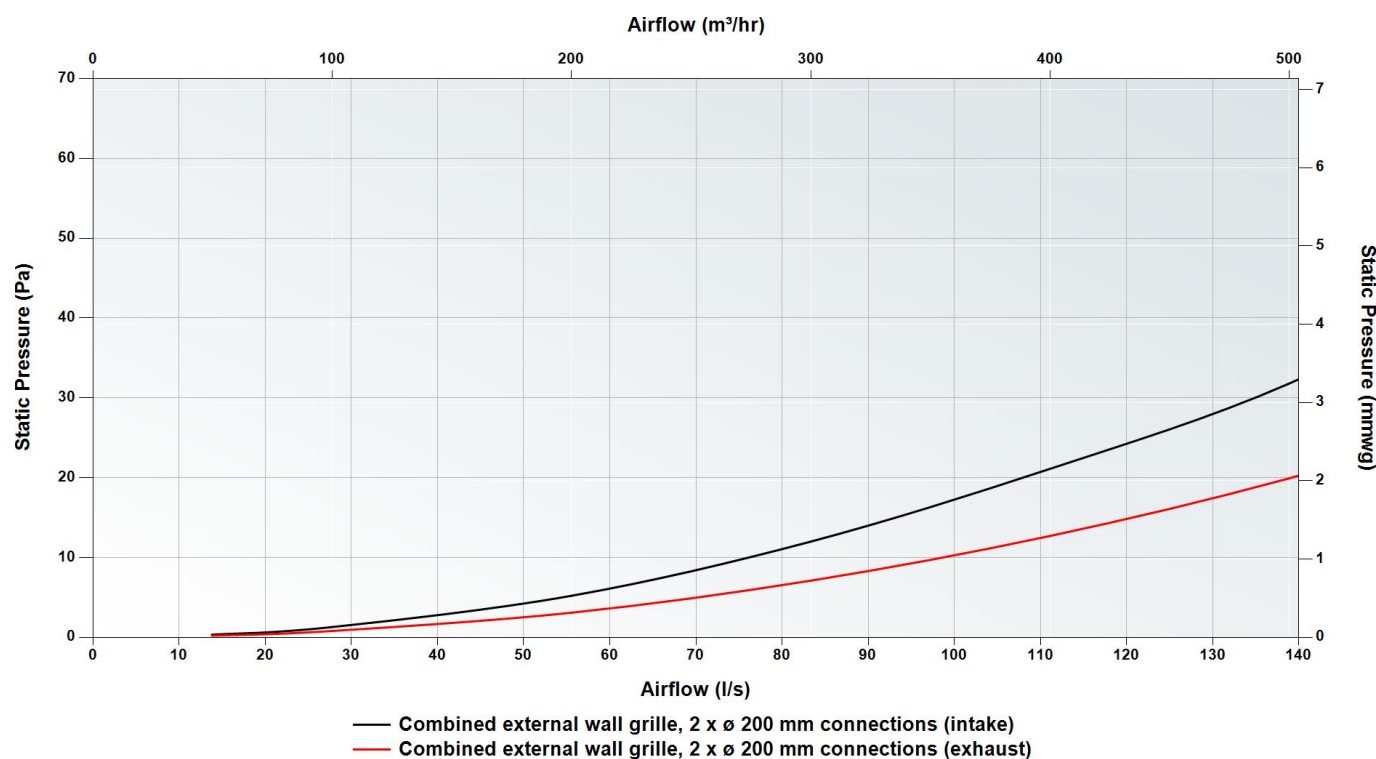
Handing	Left
Height	337.1 mm
Width	676 mm
Depth	248.2 mm
Weight	4.5 kg
Material	Stainless steel
Free area	154,790 mm ²
Core drill diameter (ComfoPipe Plus 200 mm)	2 x 290 mm
Other info	Recirculation 6% @ 5 m/s



Dimensions

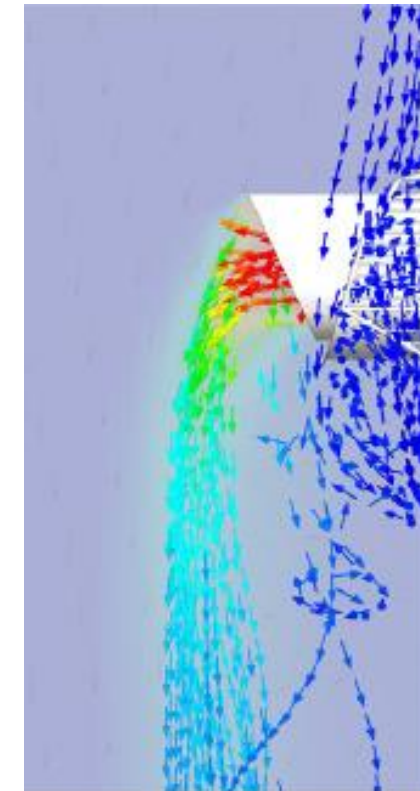


Pressure Curve



Airflow Circulation Diagram

The Zehnder combined external wall grilles are designed to ensure virtually no recirculation of air occurs. With a combined grille, external ductwork can remain short helping to limit thermal losses and maximise comfort and efficiency.



BIM/CAD Components

If you would like to download the BIM / CAD files for this or any other of our products then please visit our BIM library.

[TO VISIT OUR BIM/CAD LIBRARY](#)

[CLICK HERE](#)

Installation Instructions

If you would like to download the installation files for this or any other of our products then please visit our download page by clicking the link below.

[TO VISIT OUR DOWNLOAD PAGE](#)

[CLICK HERE](#)

Consultant Specification

Specification

The ComfoPipe Plus self-seal insulated ductwork shall be constructed of Expanded Polypropylene (EPP) with a thermal resistance of 1.229 m²K/W. It shall be fully tested to meet the thermal conductivity requirements of [DIN 1946-6](#) and have a fire rating of E in accordance with [EN 13501-1](#).

It shall have an operating temperature range of -25 to +80°C and not be designed to exceed flowrates with a velocity in excess of 3 m/s.

The ductwork shall be manufactured by Zehnder.